



# USER MANUAL

MARK 3

# ***TABLE OF CONTENTS***

<b>Structural Diagram</b> .....	<b>03</b>
<b>Specifications</b> .....	<b>03</b>
<b>Unfolding the Bike Frame</b> .....	<b>04</b>
<b>Unfolding the Handle Stem</b> .....	<b>05</b>
<b>Installing the Handle</b> .....	<b>05</b>
<b>Installing the Front Tire</b> .....	<b>06</b>
<b>Installing the Seat Post</b> .....	<b>08</b>
<b>Unfolding the Pedals</b> .....	<b>08</b>
<b>Battery and Charging Care</b> .....	<b>08</b>
<b>Removing the Battery</b> .....	<b>09</b>
<b>Turning on your Bike</b> .....	<b>09</b>
<b>The LCD Display</b> .....	<b>09</b>
<b>Precautions when Riding</b> .....	<b>09</b>
<b>Care &amp; Maintenance</b> .....	<b>10</b>
<b>Warnings</b> .....	<b>11</b>
<b>Warranty</b> .....	<b>12</b>
<b>Returns</b> .....	<b>13</b>

# STRUCTURAL DIAGRAM

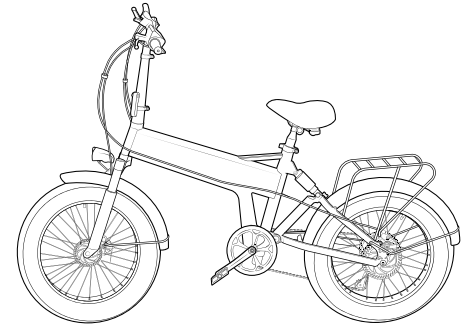
**MAX RANGE:** 40 MILES

**MAX SPEED:** 28 MPH

**MAX LOAD:** 300 lbs

**TIRE PRESSURE:** 30 – 40 psi

- All test were performed with flat ground, full charge, tire pressure at or around 30 psi. PAS range and speed tested as a class 3 ebike. There were few starts and stops and rider weight was around 150 lbs.



## SPECIFICATIONS

MOTOR & BATTERY	
Motor Wattage:	48v / 500w
Charging Time:	About 4-5 hours
Waterproof Rating:	IP54
Battery Capacity:	48v 14ah
Battery Type:	Lithium Ion
DISPLAY	
Display Type:	LCD Display
Displays Power Level:	Yes
Displays Mph:	Yes
Displays Speed:	Yes
Levels of PAS:	5

SETUP	
Suspension Type:	FULL [ Front and Rear ]
Frame:	Aluminum Alloy
Breaks:	Front & Rear Disk Breaks
DIMENSIONS	
Folded Size:	38" x 22" x 28"
Unfolded Size:	65" x 22.5" x 48"
Net Weight ( w/battery ):	65 lbs
Tire Size:	4" x 20"

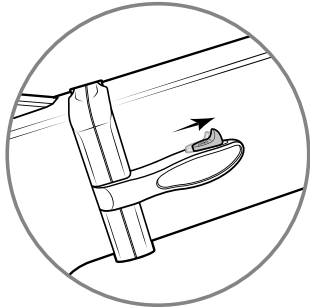
# BOX CONTENTS

- User Manual
- Bike Seat and Stem
- Charger
- Battery installed in frame
- 2 Keys to unlock battery
- Included rear cargo rack & fenders

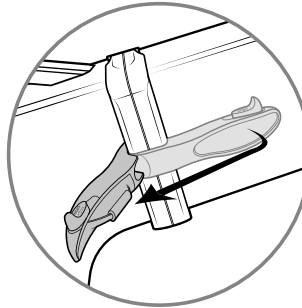
# UNFOLDING THE BIKE FRAME

- 1) Put the safety latch in the up position.
- 2) Two step process:

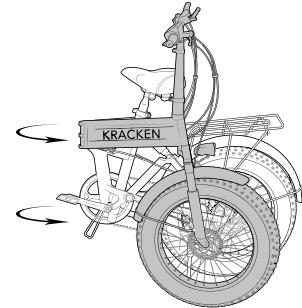
- Push the slide to the forward position.



- Pull latch away from the frame to unlock.



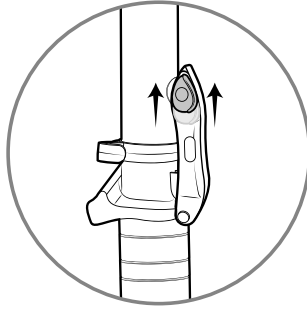
- 3) Grab handle bar and swing the front wheel to the back wheel.



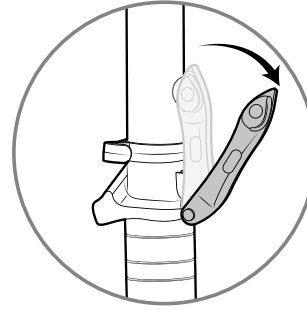


# UNFOLDING THE HANDLE BAR

4) Slide safety knob into unlock position.



5) Pull the latch away and down.



# INSTALLING THE HANDLE BAR

1) Open the quick release.

2) Identify the guide groove on the inside of the tube.

3) Leave the handle bar stem in the downward position.

4) Insert handle bar into the stem making sure the grooves line up.

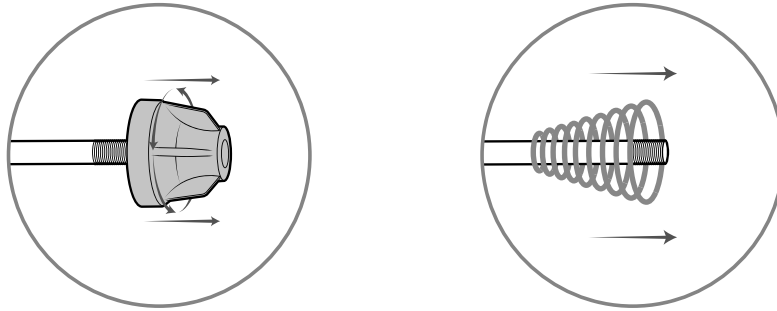
5) Make sure your handle bars are not twisted.

6) Pull handle bars to the upward position.

7) Lock the stem in place.

# Installing the Front Tire

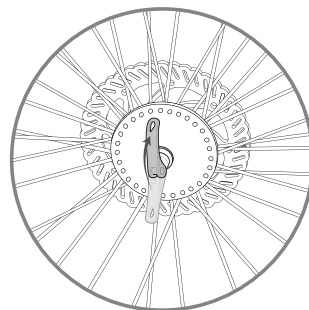
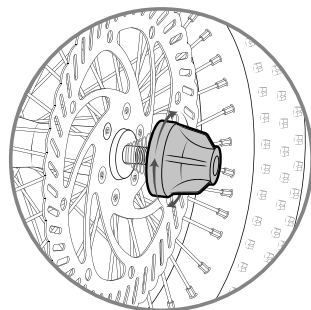
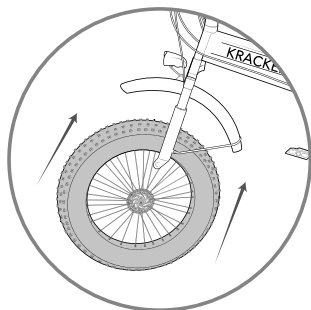
**Step 1:** Locate The skewer quick release for front tire located inside the spare box.



**Step 2:** Unscrew the black bolt and remove only 1 spring. Insert the skewer into the front rim ( the release latch should be on opposite side of the brake rotor. ) Once inserted, place back the spring ( large side of spring facing out ) and give the black bolt a couple of turns just so it's able to not fall off. Do not tighten yet. Leave a gap.



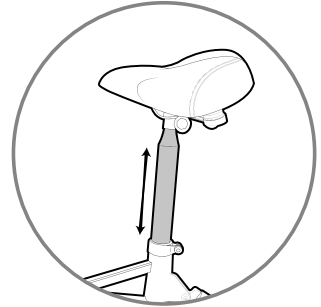
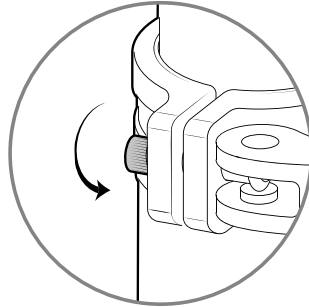
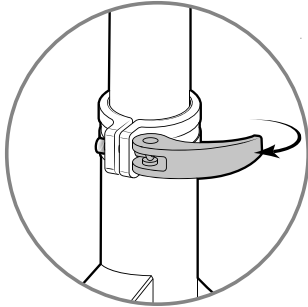
**Step 3:** Insert front tire into front fenders. Once mounted, simply tighten the black bolt and move the release latch to the upward position to close.



**Pro Tip:** Check the tension by moving your quick release to the up position every couple of turns of the bolt. Release latch should leave a small indentation in your hand. If to tight simply unscrew the bolt till you can fasten the latch. Should be snug.

# INSTALLING SEAT POST

- 1) Loosen the seat post clamp and insert saddle post.
- 2) Adjust the seat to riders ideal comfort height.
- 3) We recommend rider be on their tippy toes when seated.
- 4) To secure the seat, tighten the seat post clamp as pictured, then press the seat downward firmly to ensure it stays in place.



# FOLDING AND UNFOLDING PEDDLES

- 1) Push inward on the peddle.
- 2) Peddle will fold up or down.

# CHARGING THE BATTERY

- 1) Please insure bike is showing a full charge before your first ride.
- 2) Uncover silicone lid and insert charger to charge the bike left side of frame.
- 3) OR you can remove the battery and charge outside of the unit.

# REMOVING THE BATTERY

- 1) Unfold frame.
- 2) Use keys provide to unlock the battery.
- 3) The key hole is on the bottom of the frame about an 1” where it folds.
- 4) Insert keys, push inward then turn the key to the unlock position.
- 5) Use handle to pull out the battery.

# TURNING ON YOUR BIKE

- 1) Left hand side of your LCD, Press and hold the “M” button for 3 sec.
- 2) Check your tire pressure before each ride.
- 3) Please use common sense on the road and wear a helmet.

# THE LCD

# PRECAUTIONS WHEN RIDING

- Wear the appropriate protection gear such as helmets, knee pads, and elbow pads on your rides to help prevent injury.

- Inspect the bike, brakes, and battery before each ride to ensure all is in working order.
- Do not ride on slopes over 15 degrees.
- If you must ride in the rain or snow, please ride at lower speeds and keep a safe stopping distance from objects and vehicles in front for you.
- Children under the age of 16 are not advised to ride the bike.
- Avoid sudden start and stops.
- Do not lean forwards or backwards while riding, and maintain a safe speed at all times.
- If the battery runs low, keep a low constant speed and charge the battery as soon as possible.
- Do not store your bike in the trunk of a car in hot weather.
- Have a full understanding of local traffic rules and regulations before you ride.
- Be aware of your surroundings at all times, and be sure to always ride in safe conditions.
- Keep a comfortable distance from other riders.
- Use caution when riding in environments with low visibility, if necessary, lower your speed.
- Do not ride the bike backwards or do any actions that may endanger yourself or others while riding.
- Do not lend your bike to others without letting them become familiar to this manual first.
- Do not ride while ill or under the influence of drugs or alcohol. [ Yes you can get a DUI on an Ebike. ]
- Accelerate slowly when riding. Sudden acceleration may throw you out of balance and cause falls or injury.

# CARE & MAINTENANCE

## CLEANING YOUR BIKE

To clean the bike carefully wipe with a damp cloth, then dry with a dry cloth. Do not use water to clean the bike as the electrical and electronic systems may get wet, resulting in personal injury or malfunction of the bicycle. You should clean your bike after each ride. Lube the chain every so often to keep it smooth.

## BIKE CARE

- Keep tires properly inflated. The recommended tire pressure for the CST, Chaoyang, and any other tire that might be use will be located on the sidewalls of the tires.
- Check breaks regularly. Look for issues before each ride.
- Regularly clean, lube and inspect your chain.
- Check and secure any loose bolts or parts. Hand tighten if needed.

## BATTERY

- Keep your bike away from fire and excessive heat.
- To avoid damage to the battery, never subject the battery to intense physical shock, severe vibration, or impact.
- Protect the bike from water or moisture.
- Never disassemble the bike or it's battery.
- If there are any issues with the battery, please contact Kracken Adventure Bikes customer care team at 866-424-0055 or [Orders@kingkracken.com](mailto:Orders@kingkracken.com).

# SAFETY WARNINGS

- For your safety, please read the user manual carefully. Make sure the owner and operator understand and accept all the safety instructions.
- Ride at your own risk and use common sense. You will be responsible for any loss or damage caused by improper use.
- The elderly, pregnant women, children, and those with heart conditions should not use this product.
- Do not exceed the max weight of the bike. Only 1 rider at a time.
- Inspect each part of the product prior to each use to ensure that it has been correctly maintained and is properly functioning. Riding with improperly adjusted brakes is dangerous and may result in serious injury or death.
- Operate in safe, suitable locations. Do not ride on roads with obstacles, such as litter, stones, ect. Avoid riding on steep slopes or on smooth slippery surfaces such as ice or snow. Avoid riding near flammable gas, steam, liquid or dust that could cause a fire.
- If you have had any head, neck or back ailments, or prior surgeries to those areas, do not ride this product.
- Do not ride without proper training, at high speeds, on uneven terrain or on slopes.
- Be sure all safety labels are in place and understood prior to riding.
- Do not use near motor vehicles.
- Do not ride after prescription medication or drinking.
- Do not answer your phone, carry items or engage in any other activity while riding.
- Always wear appropriate safety gear, including shoes and a helmet. We encourage you to use lighting, reflectors and signal flags.
- Always comply with laws, regulations and ordinances, including local traffic laws.
- Always give way to pedestrians, and be alert to your surroundings, both directly in front of you and in your distance.
- When riding with others, always maintain a safe distance to avoid the possibility of a collision.
- Be sure to maintain your balance when turning, and don't make sharp turns.
- Applying the brakes too hard, or suddenly, can cause a wheel to lock which may cause you to lose control and fall which may result in injury or death.
- Only ride the product with adequate daylight or visibility.

- Do not lift the product from the ground while it is on and the wheels are in motion. This may result in free spinning wheels which may cause injury to yourself or others.
- Do not jump on or off the product or jump while using it, or perform stunts.
- When not in use, store your bike in a cool, dry area away from sunlight and water.
- To clean your bike, use a soft damp cloth to wipe clean, and dry with a dry cloth. To protect internal wiring and electric components, do not soak or rinse your bike with water, and do not clean your bike with corrosive or flammable chemical solvents, like alcohol, gasoline, paraffin or acetone.
- Do not attempt to disassemble, modify, repair or replace the unit or any components of the unit without instruction from customer support. This will void any warranty and can lead to malfunctions that may cause injury.
- The socket-outlet shall be installed near the equipment and shall be easily accessible.

## CALIFORNIA PROPOSITION 65

**WARNING:** This product can expose you to a chemical such as Cadmium that is known to the state of California to cause cancer or birth defects or other reproductive harm. For more information go to: <https://www.p65warnings.ca.gov/products>

## WARRANTY

### KRACKEN ADVENTURE BIKES – LIMITED 1 YEAR WARRANTY

This bike and accessories are manufactured to high quality standards. This bike is warranted to the original purchaser for one year from the original purchase date against defective materials or workmanship. This warranty applies to replacement parts only and specifically excludes the tire tread and tubes. This warranty becomes void if the original purchaser transfers the product to another individual.

If this bike suffers damage due to customer modifications and/or is used for any application other than for which it was designated, this warranty is void. This warranty does not include damage due to 1) neglect, (2) accident, (3) unreasonable use, (4) improper maintenance or (5) any other cause not attributed to defects in material or workmanship. Any implied or otherwise explicit guarantees made through the merchandiser of this product are not covered in this warranty coverage agreement and are expressly disclaimed.



If you feel your bike is not operating properly and may need a replacement part, contact Kracken Adventure Bikes at 866-424-0055 or by email at [orders@kingkracken.com](mailto:orders@kingkracken.com).

## **IMPORTANT NOTE**

This machine was designed for certain applications only. Kracken Adventure Bikes strongly recommends that this machine NOT be modified and/or used for any application other than that for which it was designated. If you have any questions relative to its application, please contact us and we advise as to its proper use. This warranty gives you specific legal rights, and you may also have other rights which vary from state to state.

## **PRODUCT REGISTRATION**

Please register your product within 10 days of purchase. You can go to [KrackenAdventureBikes.com](http://KrackenAdventureBikes.com) and click the register button at the top.

## **RETURNS & EXCHANGES**

Please refer to our website [KrackenAdventureBikes.com](http://KrackenAdventureBikes.com) for all product exchange information and procedures.

Please keep the original packaging.

866-424-0055

[Orders@kingkracken.com](mailto:Orders@kingkracken.com)

[www.KrackenAdventureBikes.com](http://www.KrackenAdventureBikes.com)

# KRACKEN

*Adventure bikes*



THIS MANUAL CONTAINS IMPORTANT SAFETY,  
PERFORMANCE AND MAINTENANCE INFORMATION. READ  
THE MANUAL BEFORE TAKING YOUR FIRST RIDE ON YOUR  
NEW ELECTRIC BIKE.KEEP THE MANUAL HANDY FOR  
FUTURE REFERENCE.